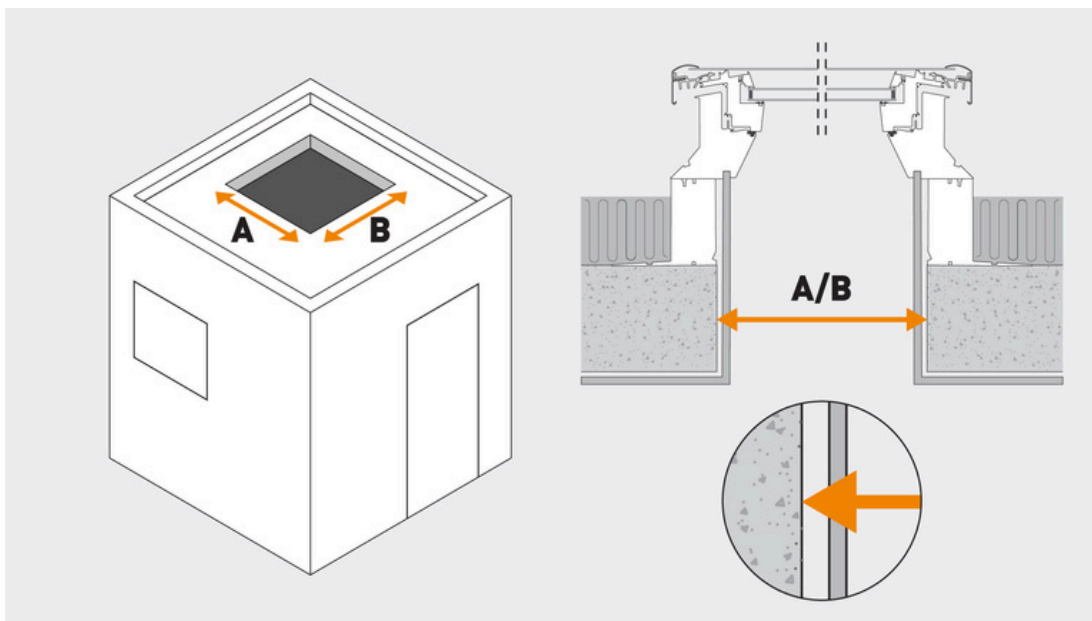


HOW TO SELECT A FLAT ROOF WINDOW

01

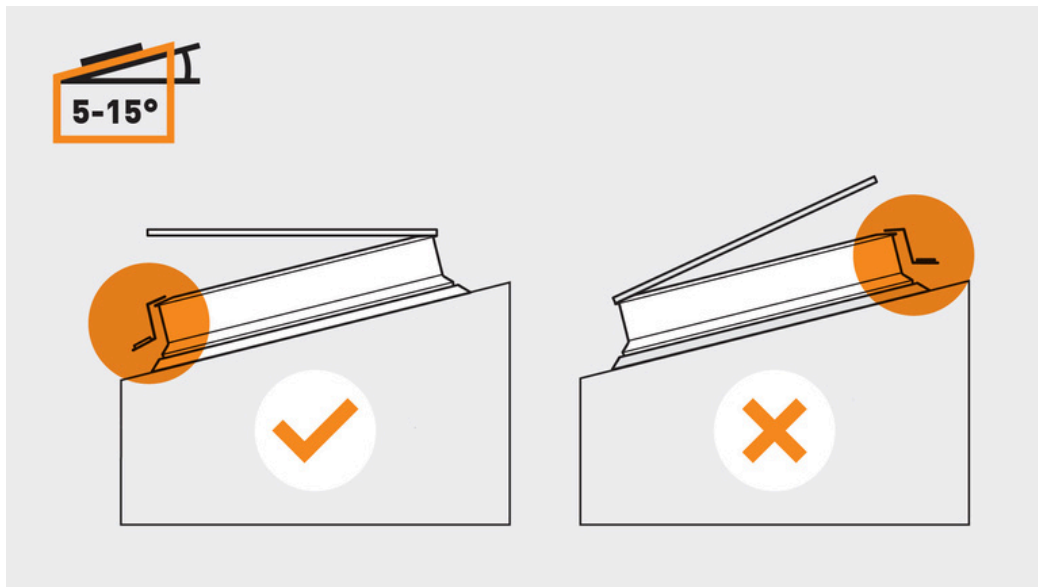
Please check the hole dimension in your slab and select the fitting window size.



Product size code	A [cm]	B [cm]
	Place of the motor	
0606	60	60
0609	60	90
0808	80	80
0909	90	90
0912	90	120
1010	100	100
1015	100	150
1212	120	120

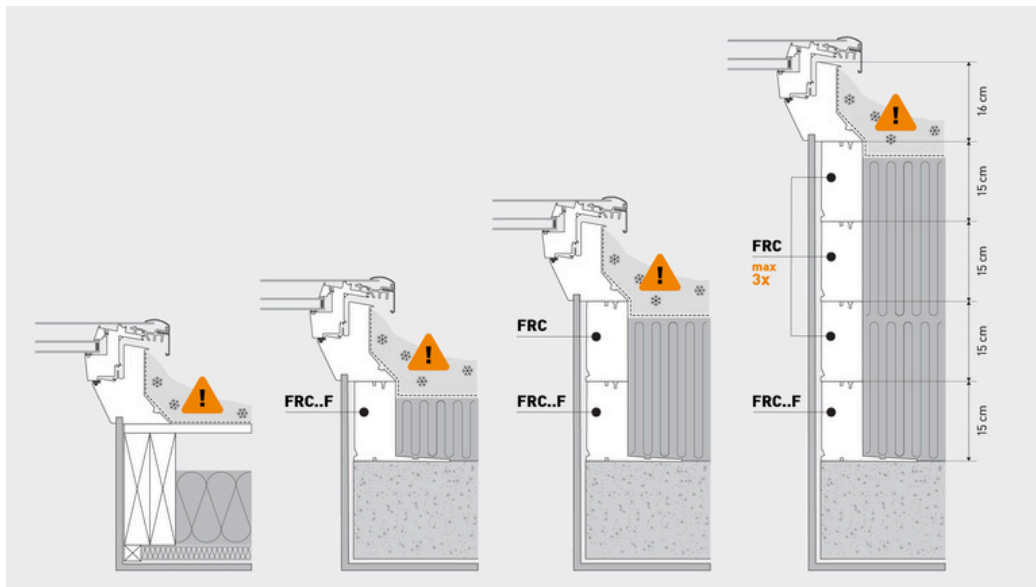


Please always consider that the motor is to be placed to the lowest part of the flat roof window.



02

How to design your flat roof window construction?



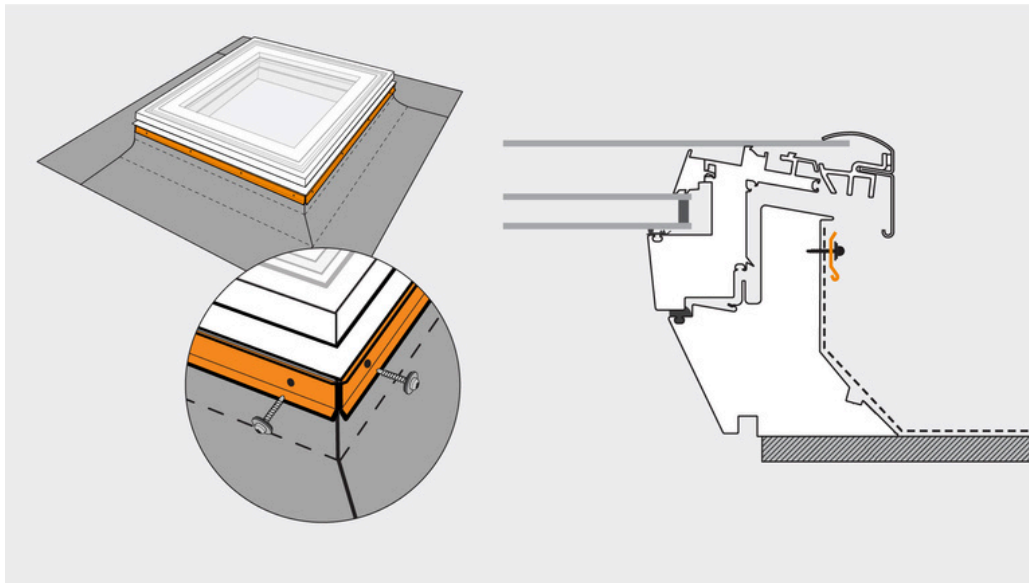
Please check the local snow barrier regulation when you are planning the roof. The top of your roof construction mustn't be higher than the bottom of the flat roof window.

If you are willing to have a well-insulated and easy-to-mount system we are offering extension pieces for your needs. Please consider the flat roof window can be lifted with maximum 60 cm.

If the flat roof window with flat top unit is installed below 5 degree, there is an increased risk of water, dirt and debris standing on the glass, which in some cases can cause slight discoloration of the glass over time.

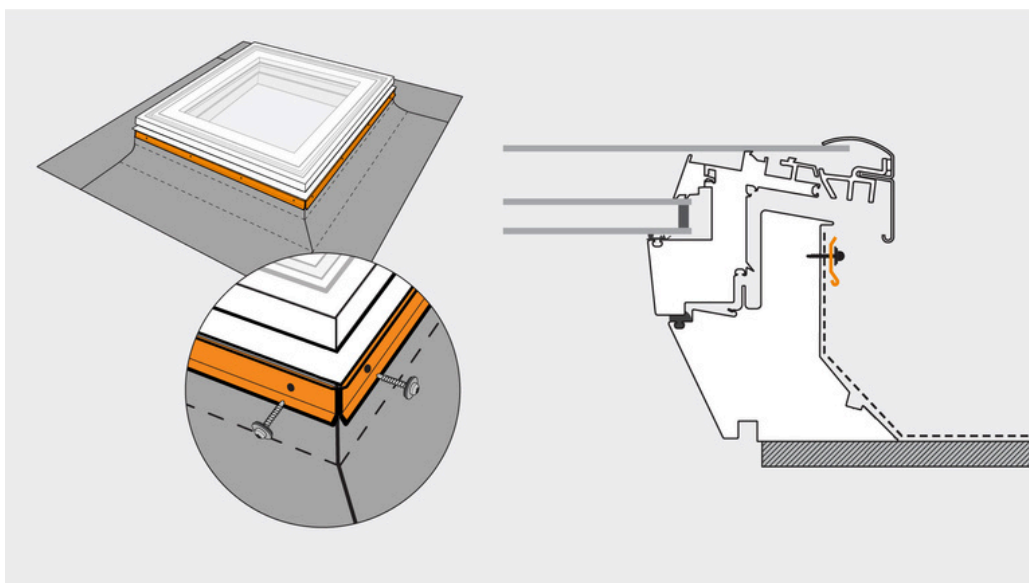
03

If you are willing to fix the roofing foil properly, the faf foil fixing kit brings a perfect solution.



04

If there's an overwarming risk in your room, the FSA Internal solar blind with special aluminum layer in the honey comb cloth blocks up to an extra 51% solar heat.



The internal blind is operated with a wall switch, and also possible to connect to IO-home control system.