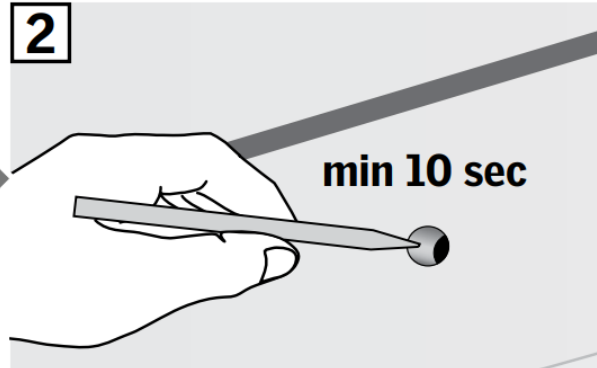
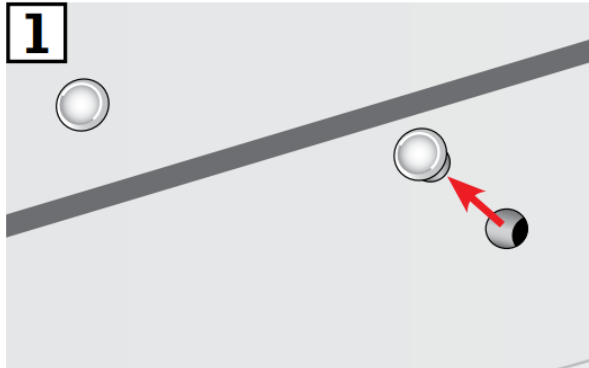
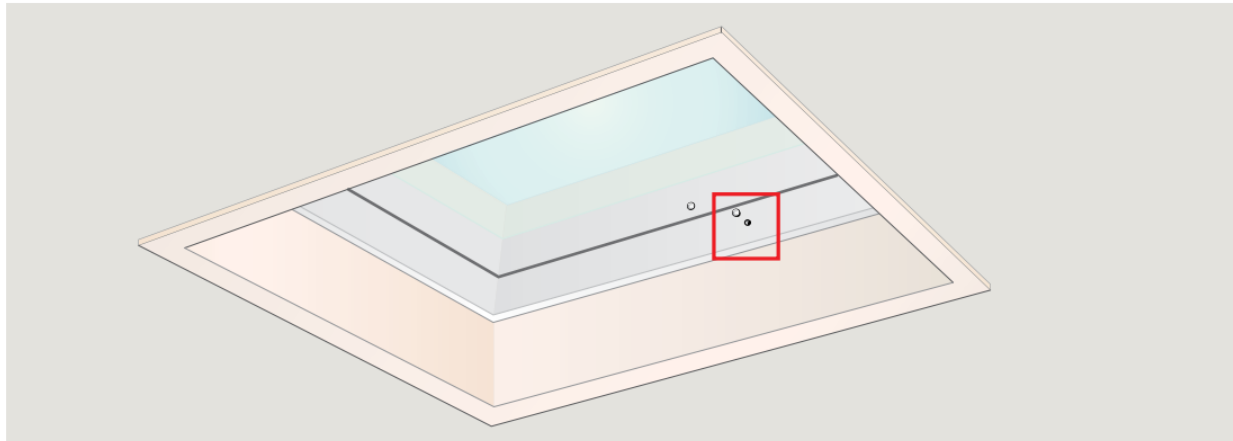


0. Connect FRE to the main.

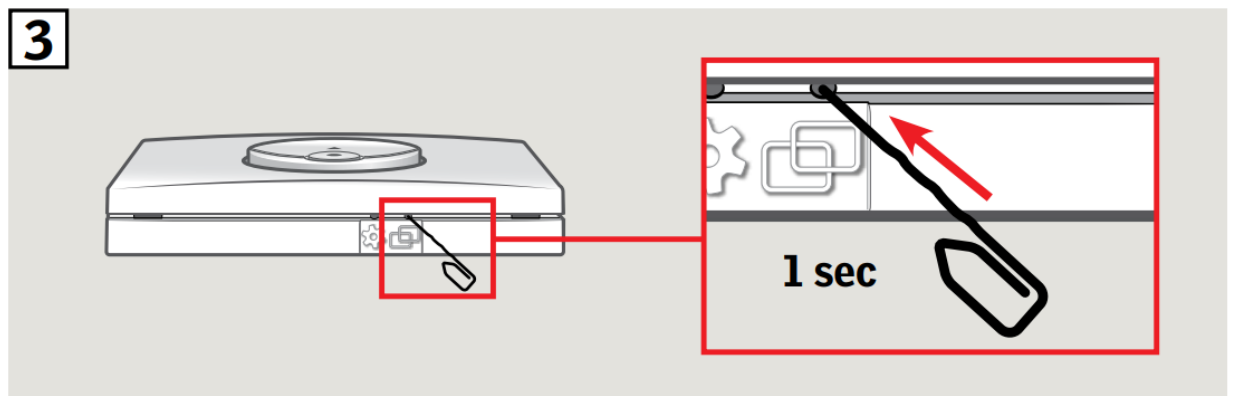
1. Carefully remove the cover cap from the frame of flat roof window

2. Press the button behind the cap for at least 10 seconds. The window operator will run briefly back and forth. Do not press any buttons on remote or on FRE until the motor fully stopped.



Next steps (step 3 and step 4) must be completed within the next 10 minutes.

3. Press PAIR button on the wall switch for 1 second



4. Check if remote operates FRE

5. Refit the cover cap.

4

