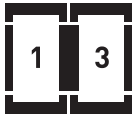


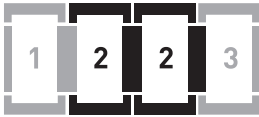
# SCX

# 01

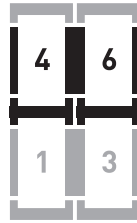
Pack 13



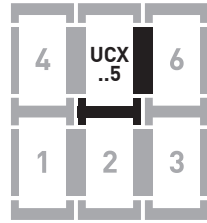
Pack 2



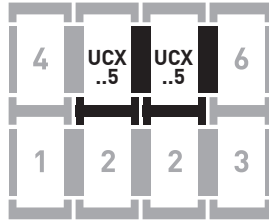
Pack 46



Pack 5



Pack 5

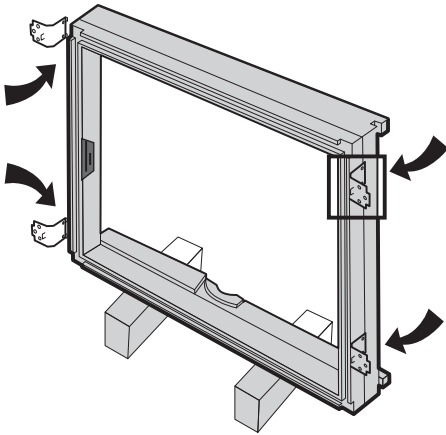


Pack 7

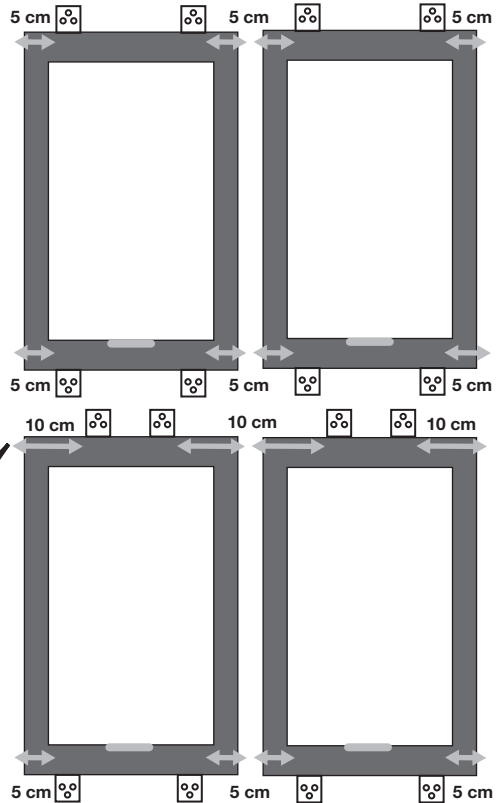
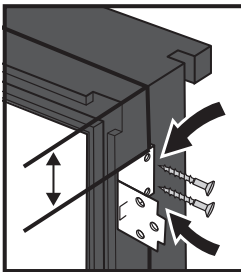
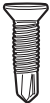


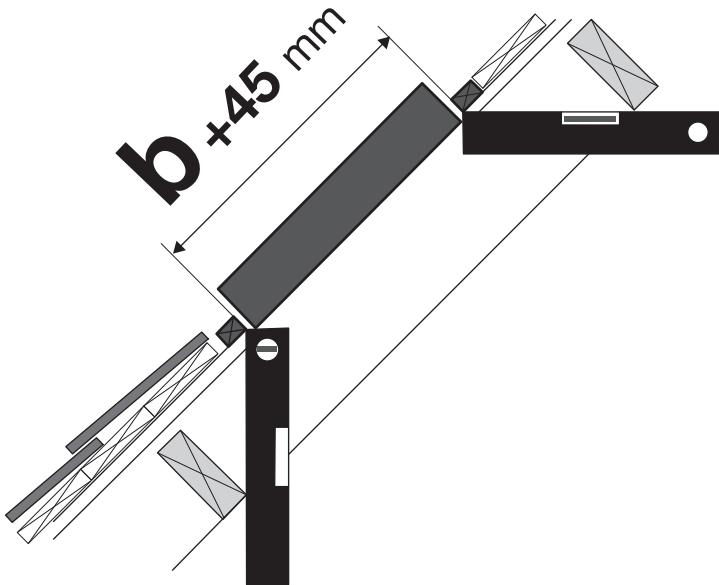
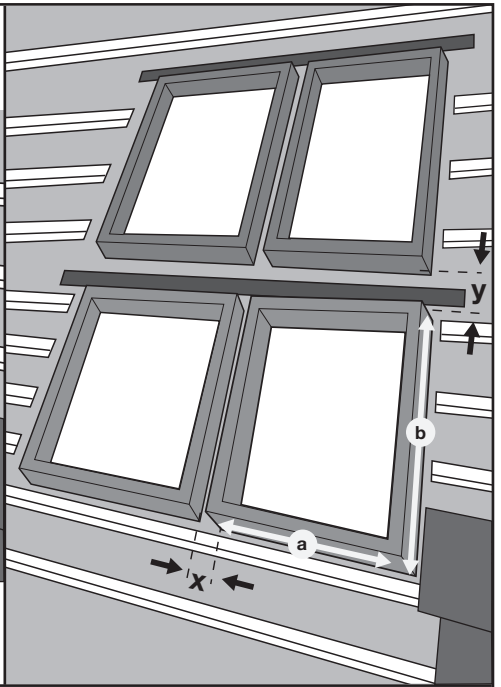
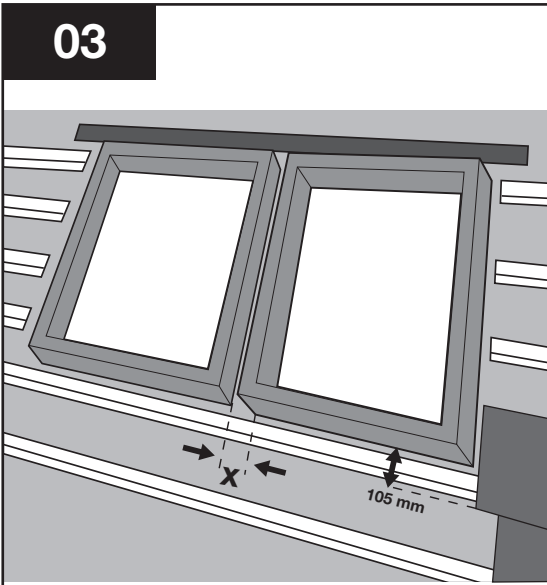
KLS

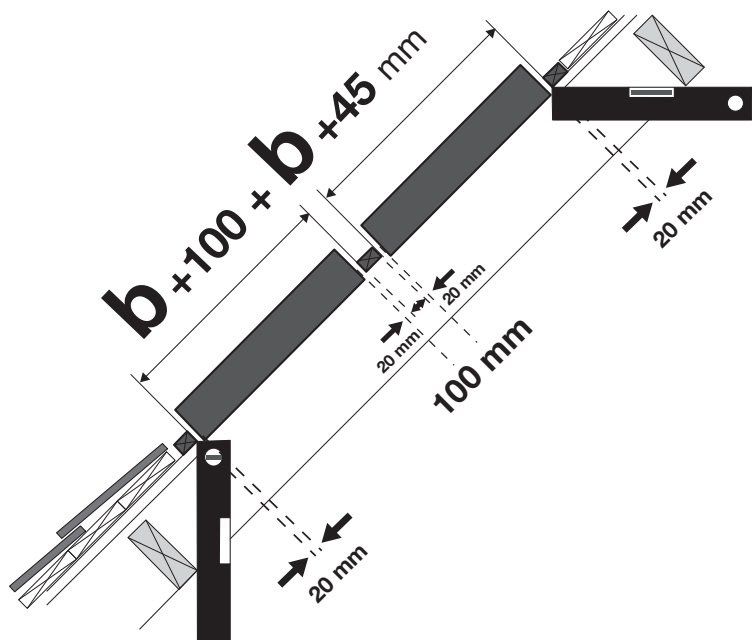
# 02



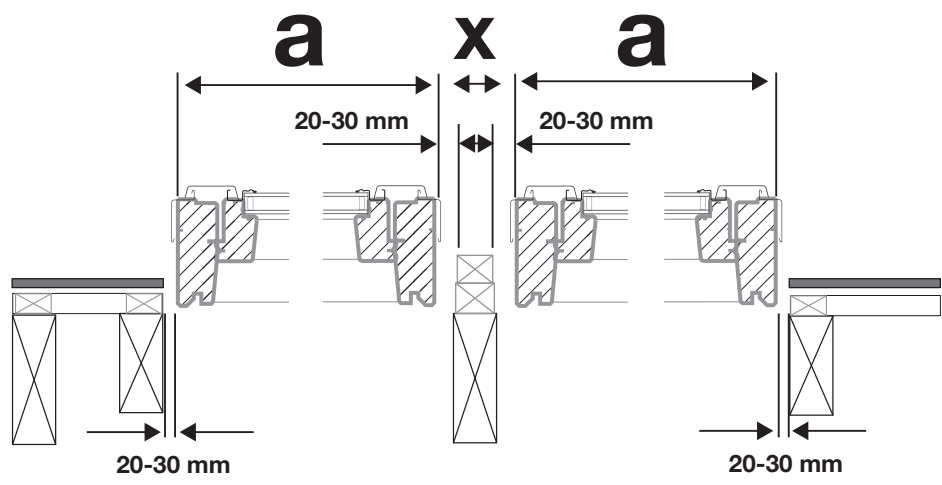
PVC





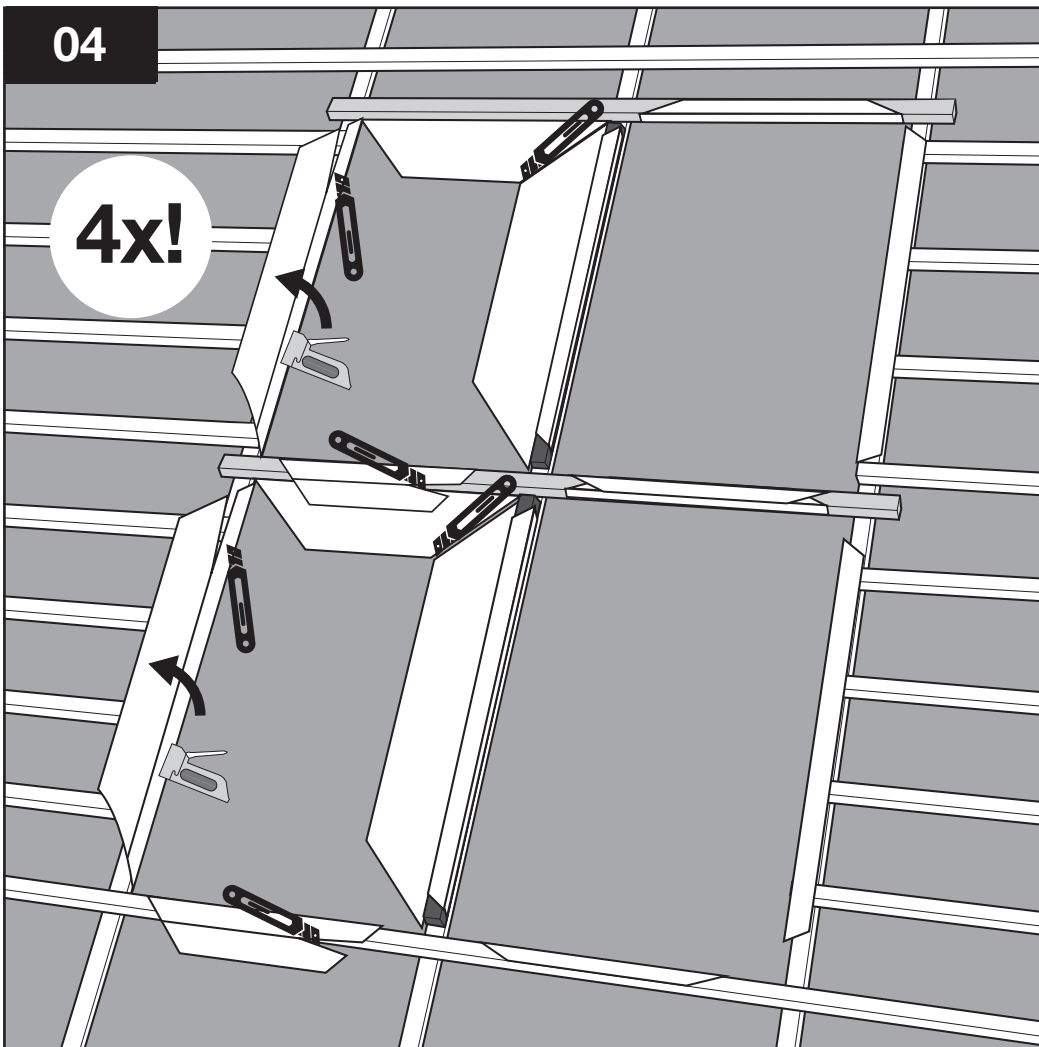


$E = 100 \text{ mm}$   
 $F = 120 \text{ mm}$   
 $G = 140 \text{ mm}$



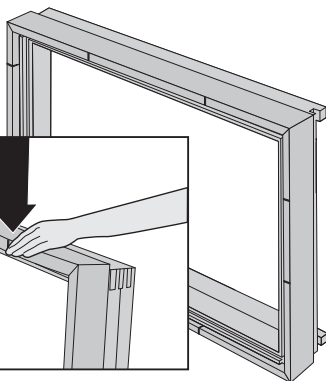
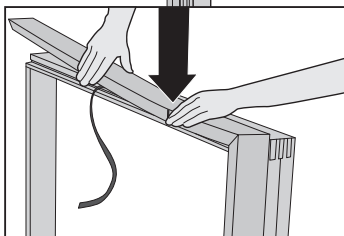
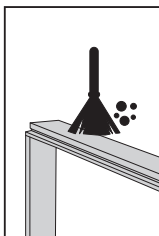
04

4x!



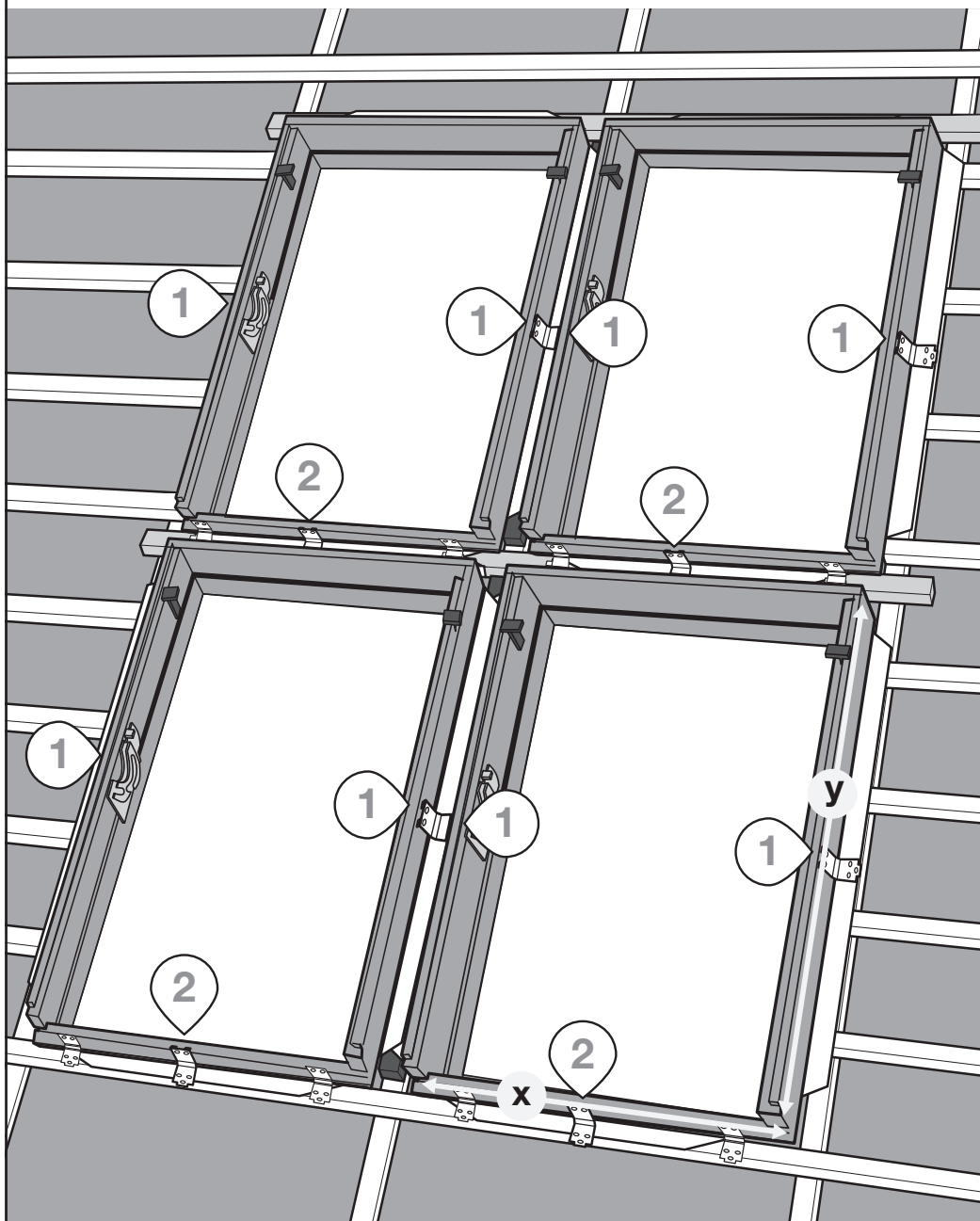
05

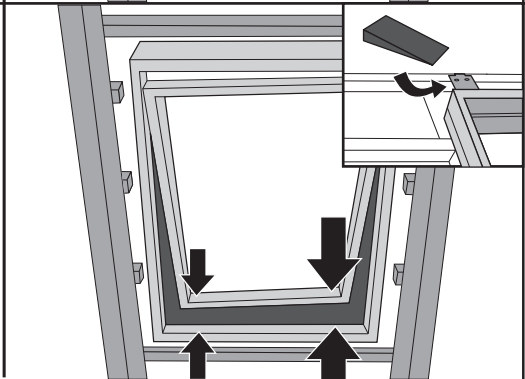
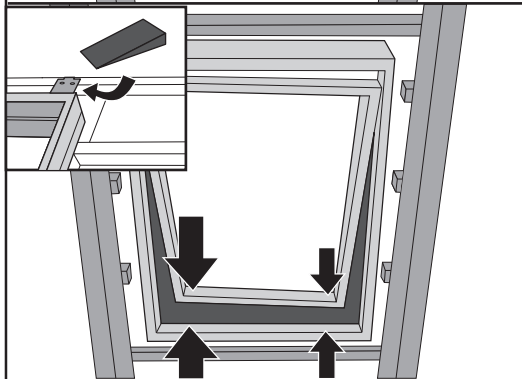
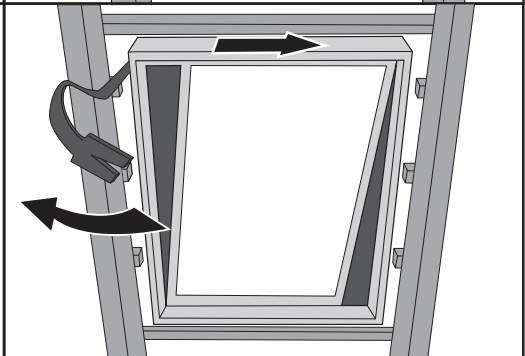
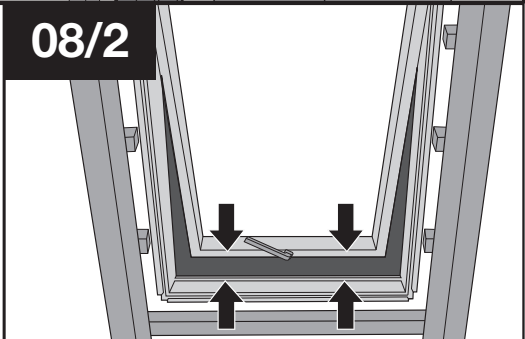
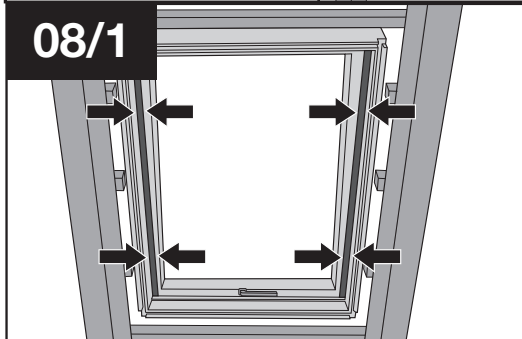
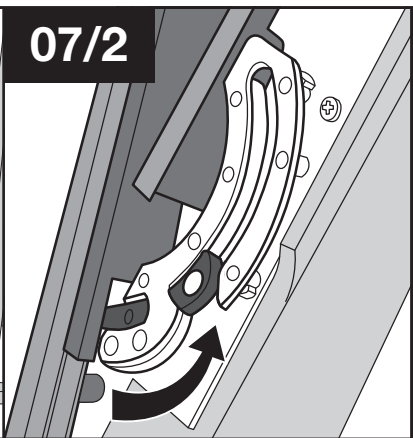
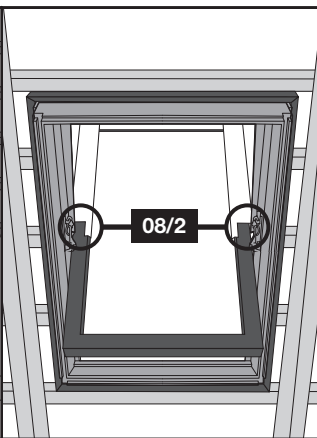
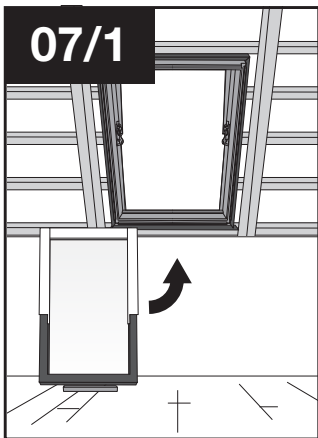
  
IFC



①  $x \geq 1398 \text{ mm}$

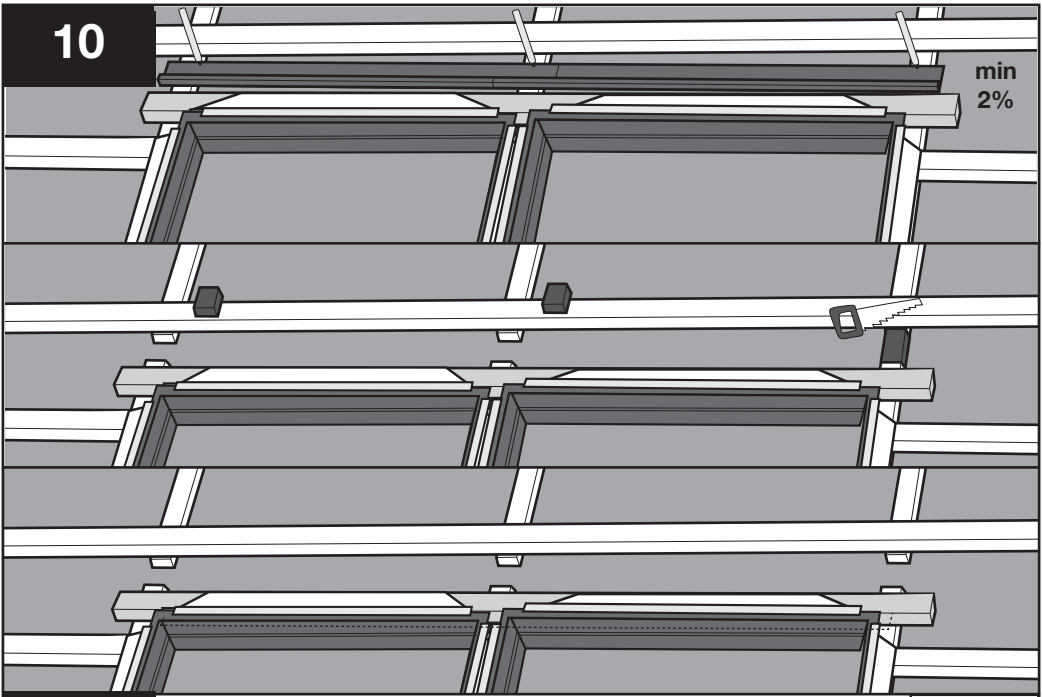
②  $y \geq 1140 \text{ mm}$





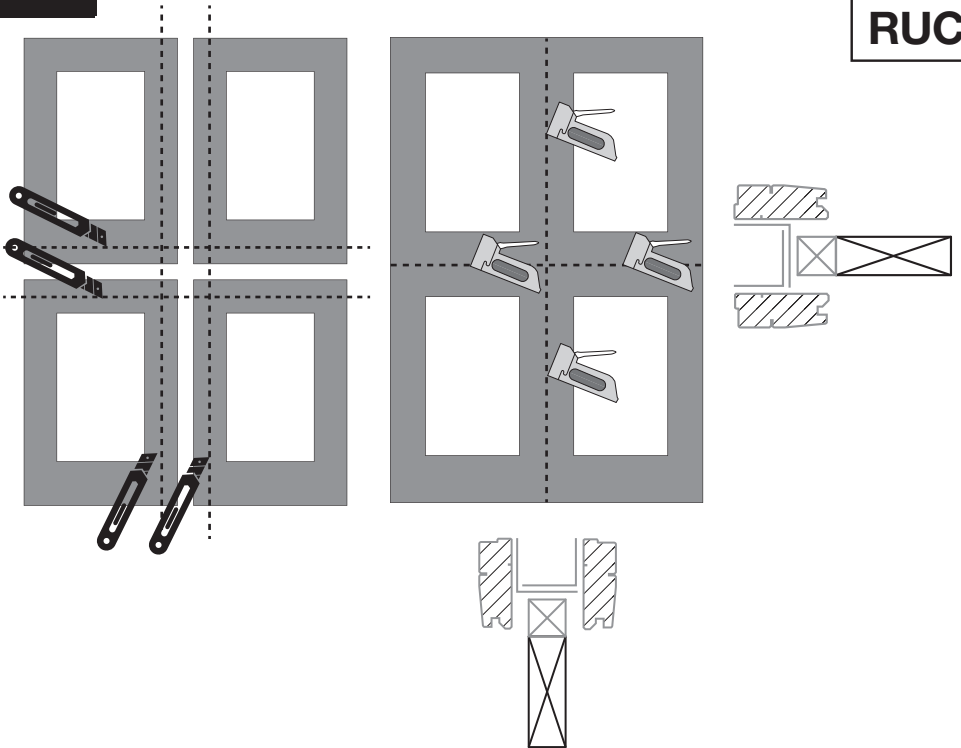
10

min  
2%



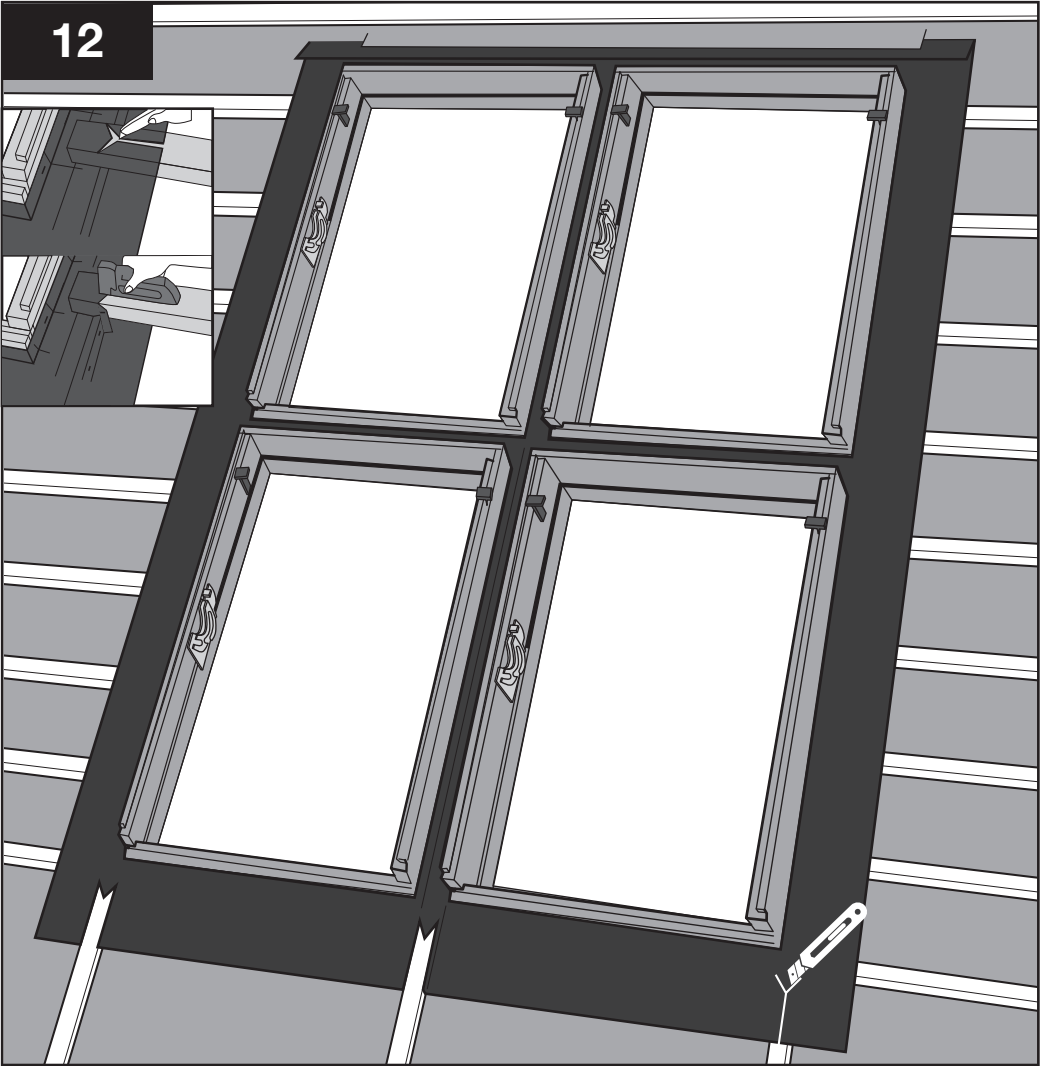
11

  
**RUC**

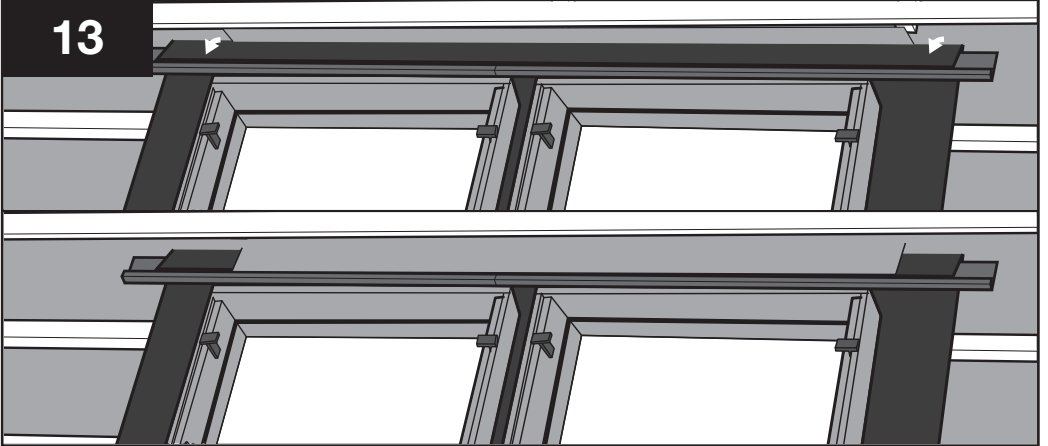


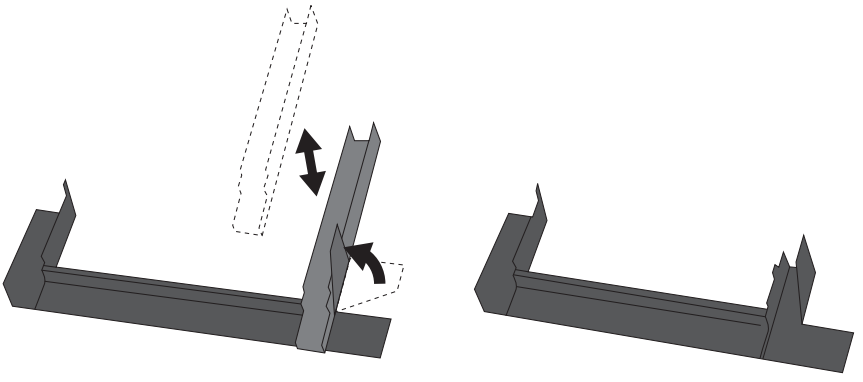
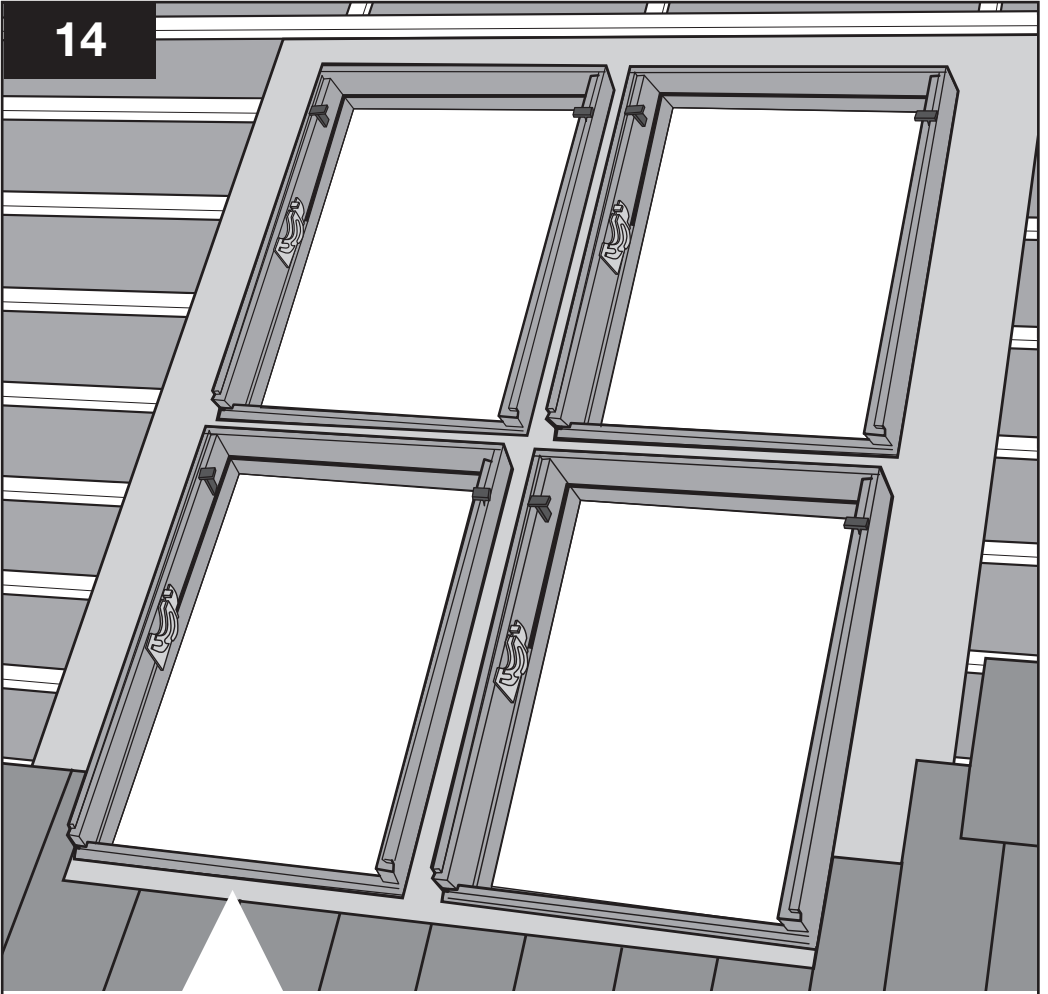


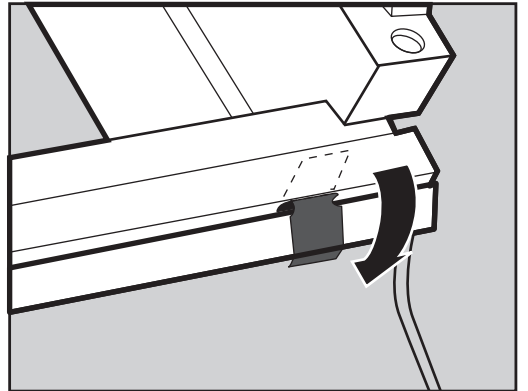
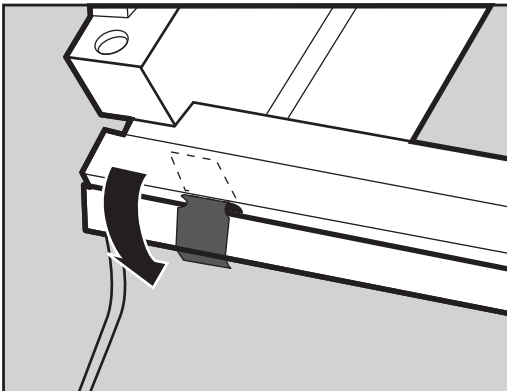
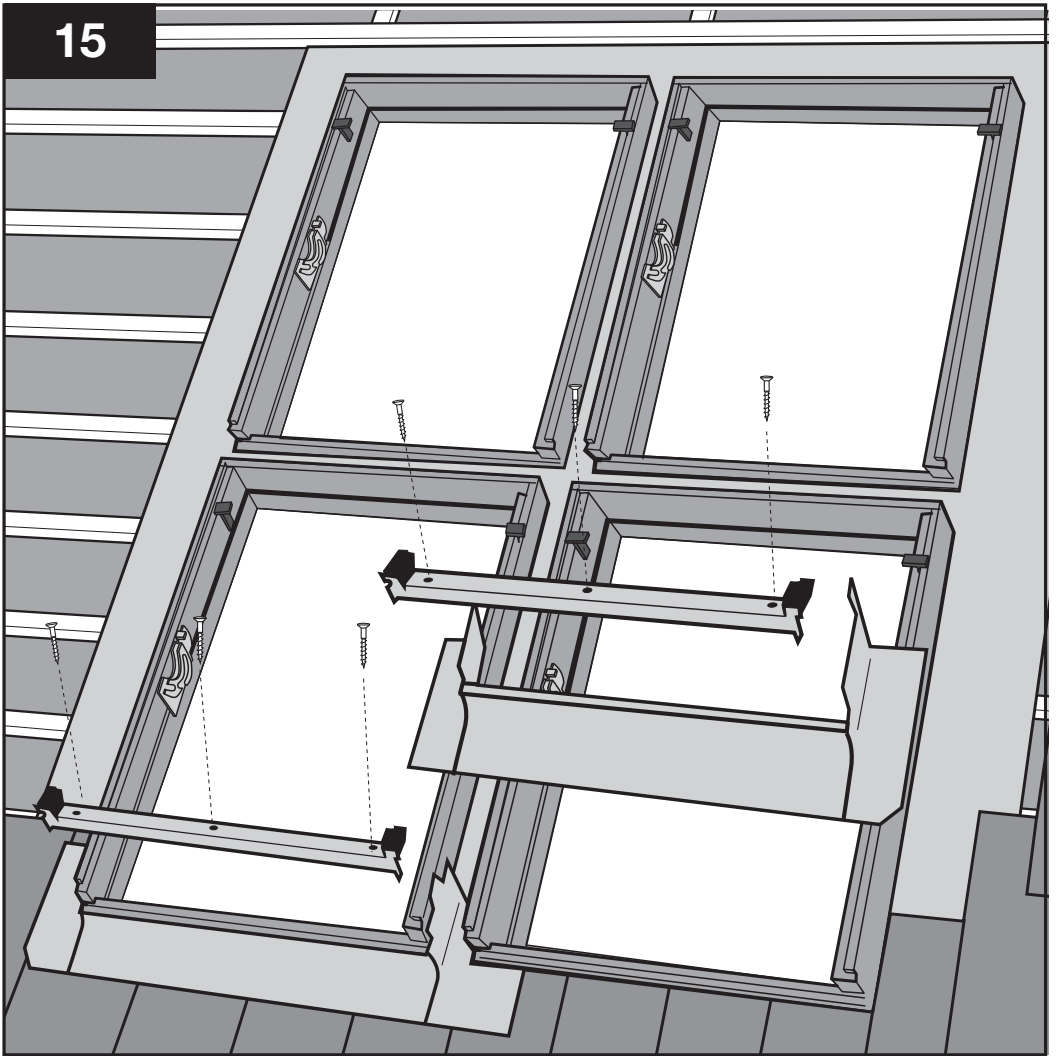
12

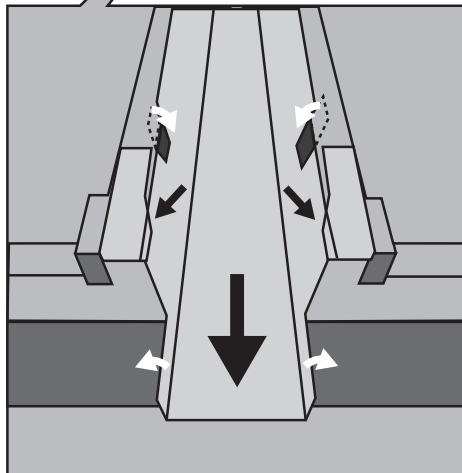
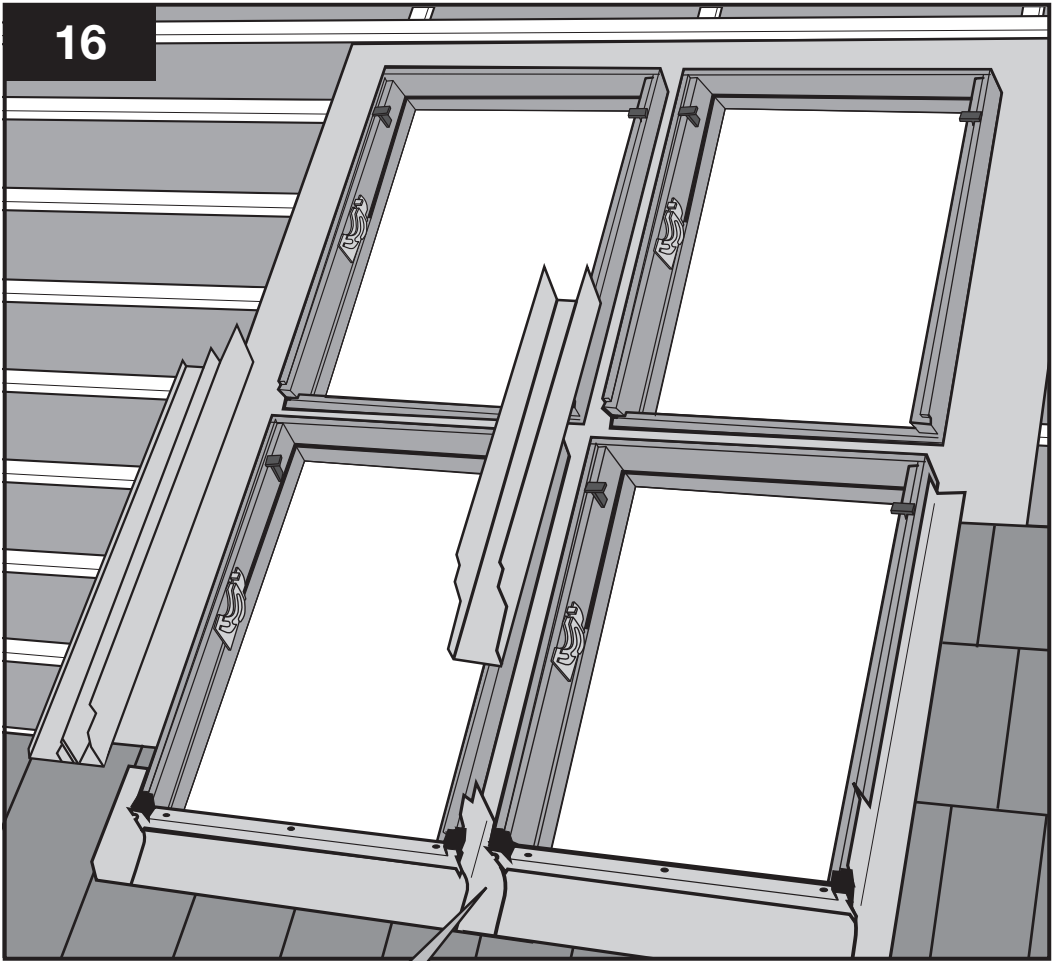


13

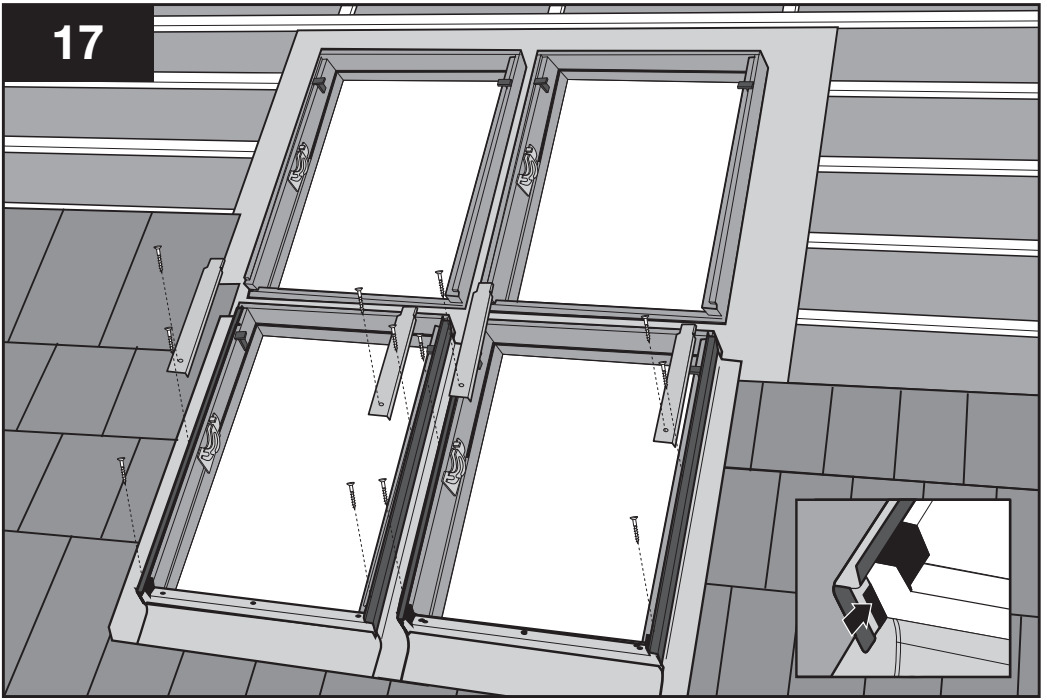




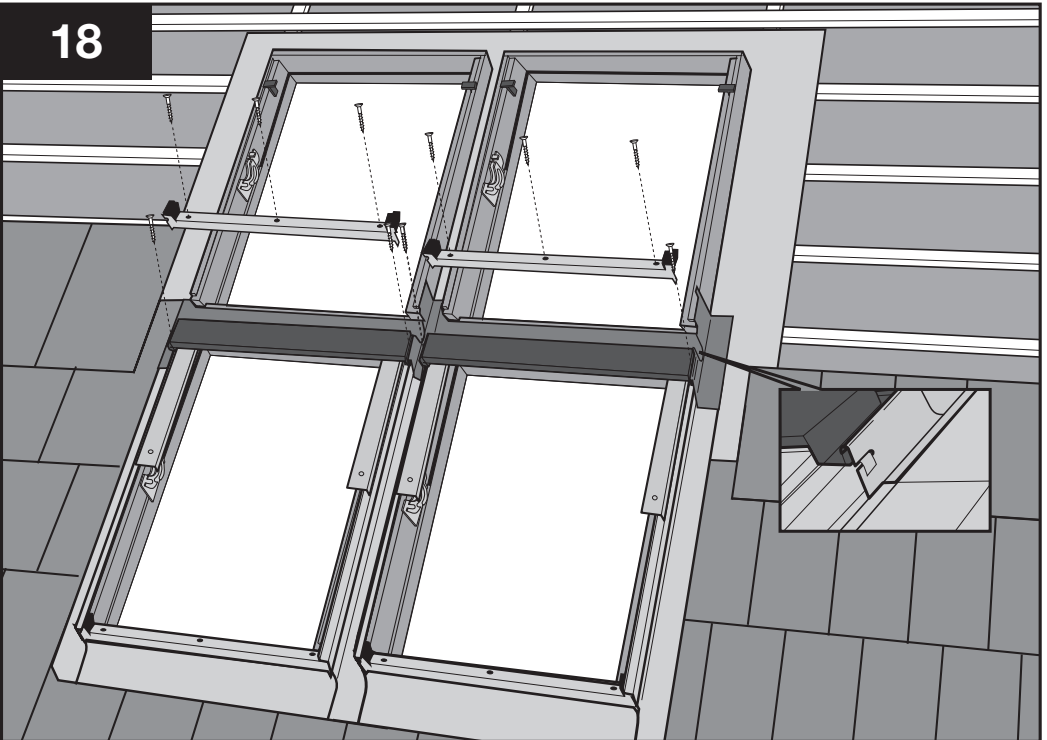


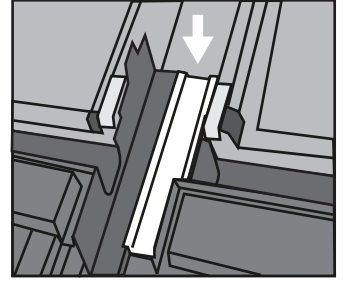
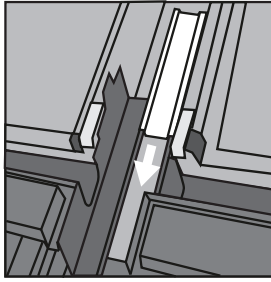
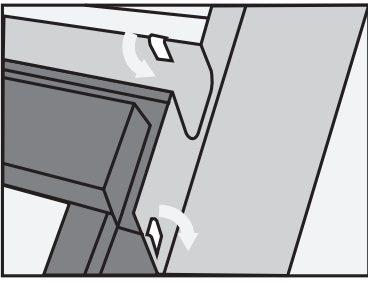


17

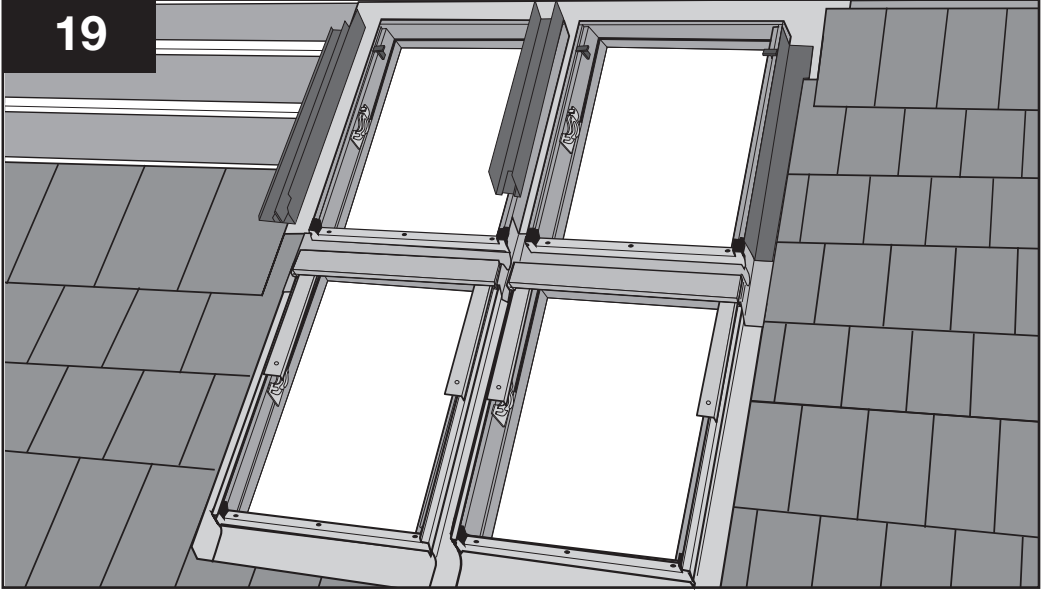


18

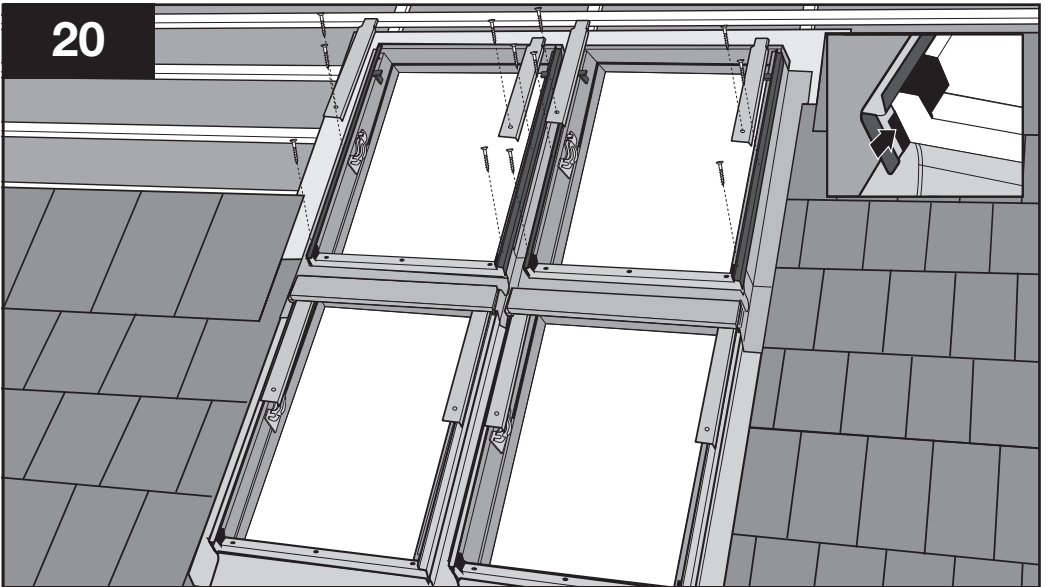




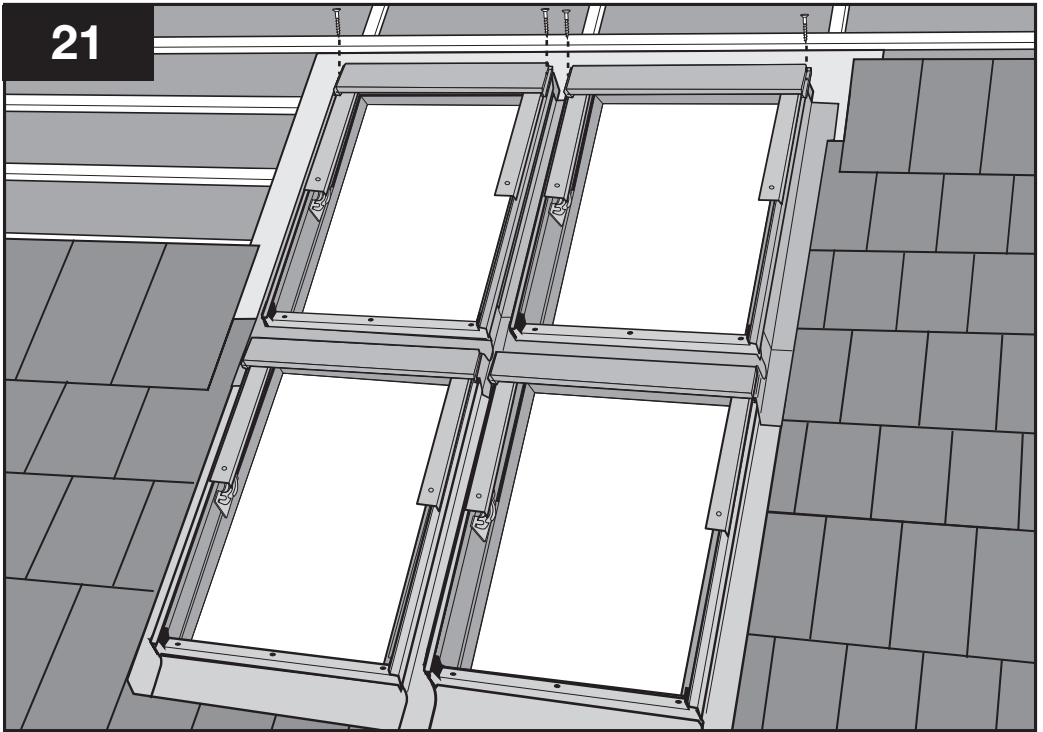
19



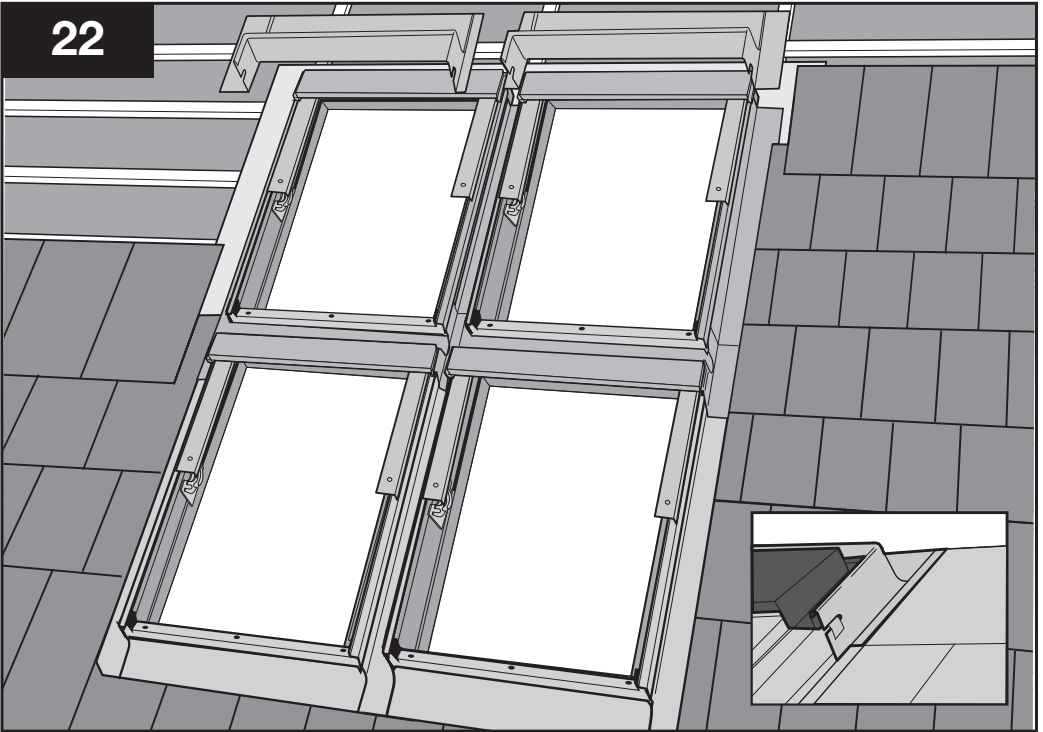
20



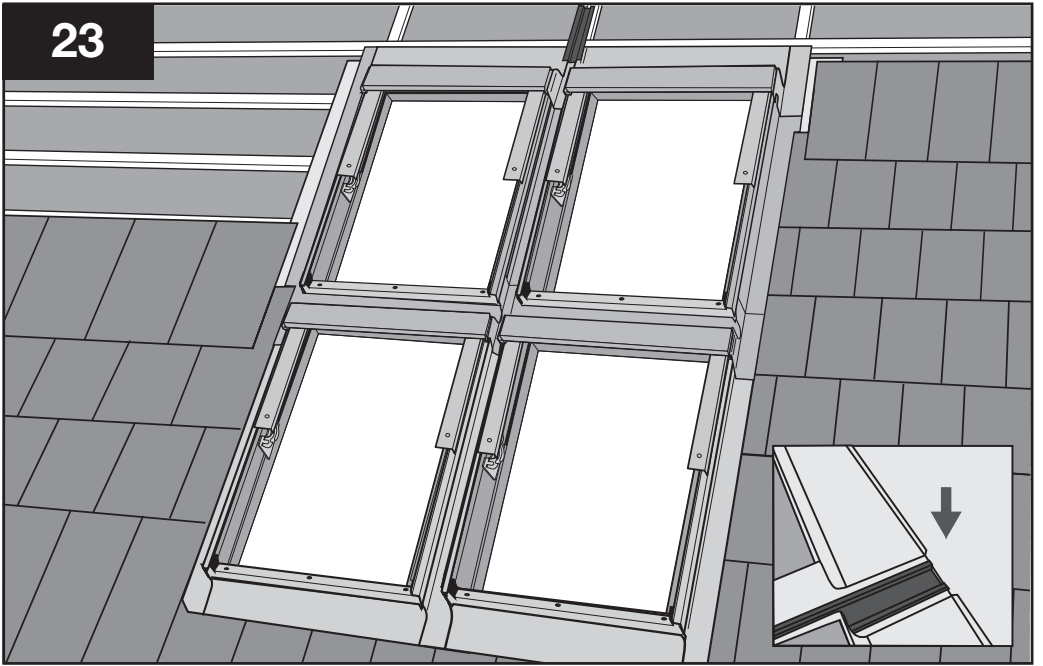
21



22



23



24

