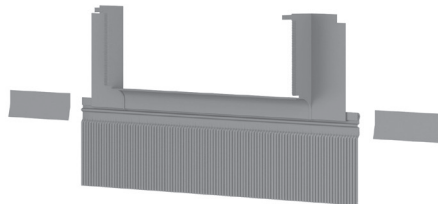


# STANDING SEAM FLASHING

KSS



## APPLICABLE

- In roof pitch range of 15-90°
- Roofing material: standing seam (click) metal sheets

## FEATURES

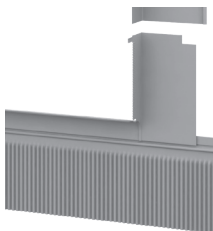
- Perfect watertightness
- Easy installation
- Weather and UV ray resistant
- Lead free
- Water shield dam
- Wind deflector gasket
- Additional butyl

## MATERIAL

- Aluminium
- Powder coated grey, RAL7043
- Parts: top cover, 2 pcs. of side covers, Bottom cover, Butyl

## AVAILABLE SIZES [cm]

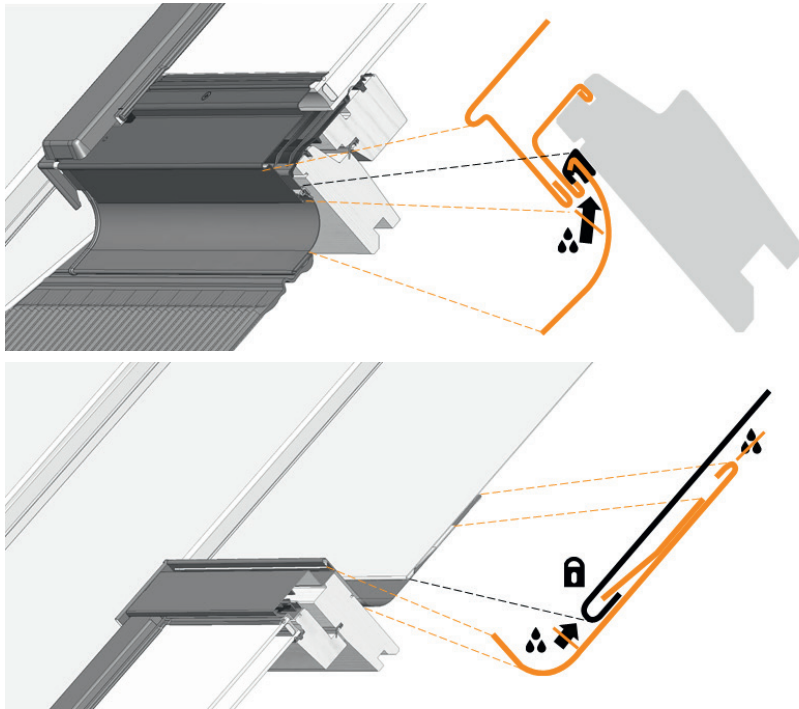
<b>C2A</b>	<b>C4A</b>	<b>F6A</b>	<b>M4A</b>	<b>M6A</b>	<b>M8A</b>	<b>M10A</b>	<b>P6A</b>	<b>P8A</b>	<b>S6A</b>
55x78	55x98	66x118	78x98	78x118	78x140	78x160	94x118	94x140	114x118



[www.dakea.com](http://www.dakea.com)



# UNIQUE FEATURES OF KSS THAT GUARANTEE WATER TIGHTNESS



## LOCK STRIPS/WATER SHIELD DAM

Even though the metal sheet (from its nature) is moving when pressed by external forces (see attached video), special construction of the flashing disables the water to come through. Changing conditions i.e. high temperature may influence the length of metal sheets (they are getting longer) and the same time the connection with all other elements on the roof.

## WIND DEFLECTOR GASKET

Extra gasket at the bottom part of the flashing

## ADDITIONAL BUTYLS

Added in the box – no need to use any other sealing to make connection with the flashing

Those solutions have been successfully tested in wind tunnel against conditions that are calculated as average EU weather from the last 10 years: 30 m/s wind (above 100 km/h) wind speed and rain coming from extra 10 m roof above the roof window.

## TESTED WATERTIGHTNESS

Confirmed protection against wind and rain.

Dakea flashing has been successfully tested in wind tunnel against average EU extreme weather conditions which equals to storm with 30 m/s (above 100 km/h) wind speed. Additionally, the testing allowed the rain to come from extra 10 m roof above the roof window which made the set up even more severe.

100% water tightness guaranteed!

### FEATURES:

water shield dam, wind deflector gasket, additional butyl

## QUICKER INSTALLATION

30 min less comparing to hand-made solution.

Dakea flashing can be installed straight after taking it from the box eliminating the need to prepare the flashing from the scratch from single metal sheets. It's that easy!

## DESIGNED BY PROFESSIONAL

Solution made by the roofers.

The need for the flashing came from the market – it was the roofers who identified missing solution and helped to develop it. Preparing the Dakea flashing as it is required prototyping and real life testing which resulted in patenting the solutions we put into life. 100% professional product!

